



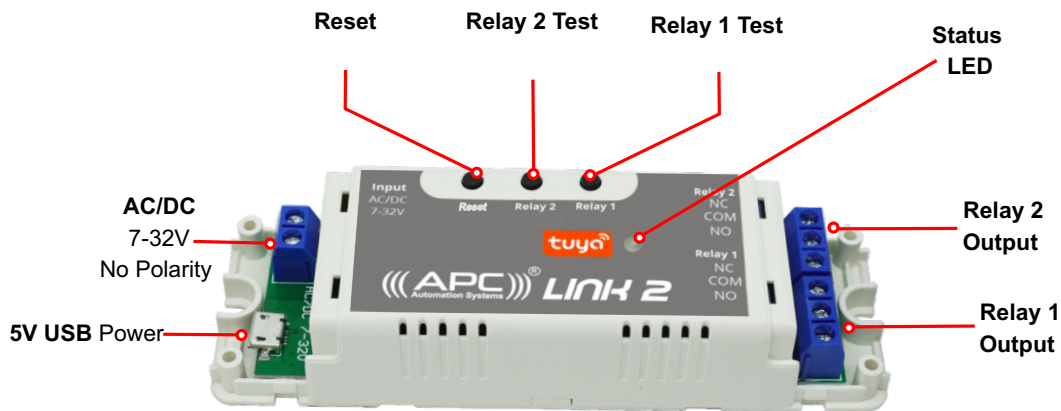
# LINK 2

- Works with **Amazon Alexa**
- Works with **Google Assistant**
- Works with **Smart Things**



## Two Channel Wi-Fi Switch

### Overview



### Specifications

- Working Voltage : AC/DC 7-32 V
- Working Temperature : -20°C~70°C
- Wi-Fi : 2.4G Hz
- Maximum Current Switching:10A

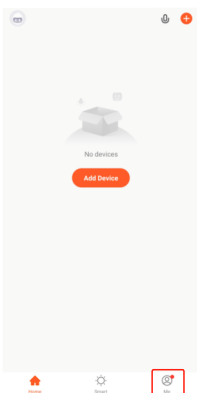
### APP Configuration

#### APP Install and Registration (All Users)

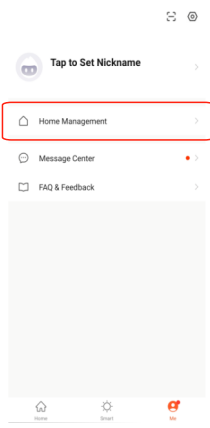
1. Download Tuya Smart from the APP Store on your Android/Apple Device.
2. Open the App and register an account ensuring you select "Australia" as the country
3. Login after registration. NOTE: Each user must register there own account.

#### APP Preparation (Home Owners Device)

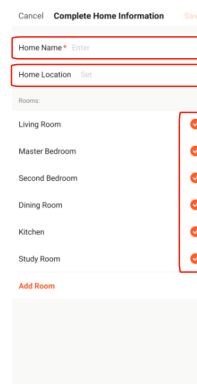
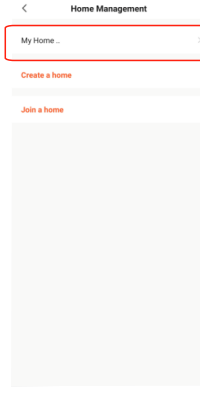
1. Go to "Me"



2. Go to "Home Management"



3. Select "My Home..."



4. Name the home

5. Set the Location

6. Deselect ALL the rooms except the one where the indoor monitor is installed.

7. Press Save

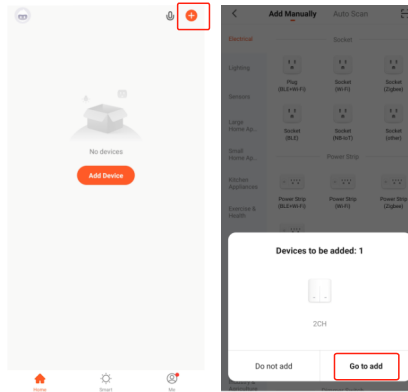
## Device Configuration

1. Hold Down the LEFT "Reset" button for five second and release.

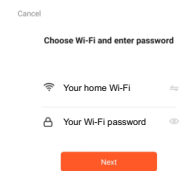


2. LED Indicator will then begin to flash red. The red flash indicates the unit has been reset and ready to be connected to the home owners device.

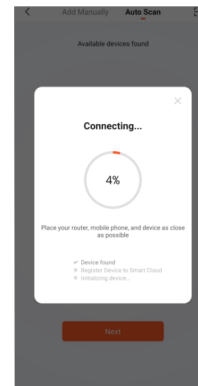
3. Within the app press + and you should be prompted automatically to add the new device.



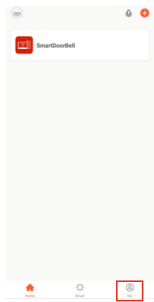
4. Input your Wi-Fi password after ensuring you are connected to you 2.4GHZ Wi-Fi network.



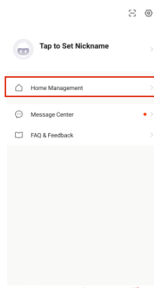
5. The process of configuration will take up to one minute to complete.



## Sharing with another user



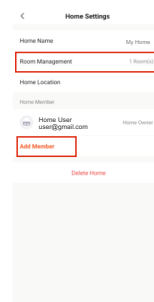
1. Go to "Me"



2. Go to "Home Management"

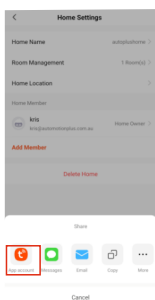


3. Select the home you wish to share

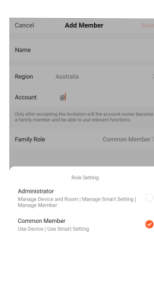


4. Select the rooms you wish to share

5. Select Add Member



6. Select Tuya APP Account



7. Input the User Name

9. Set the Users role

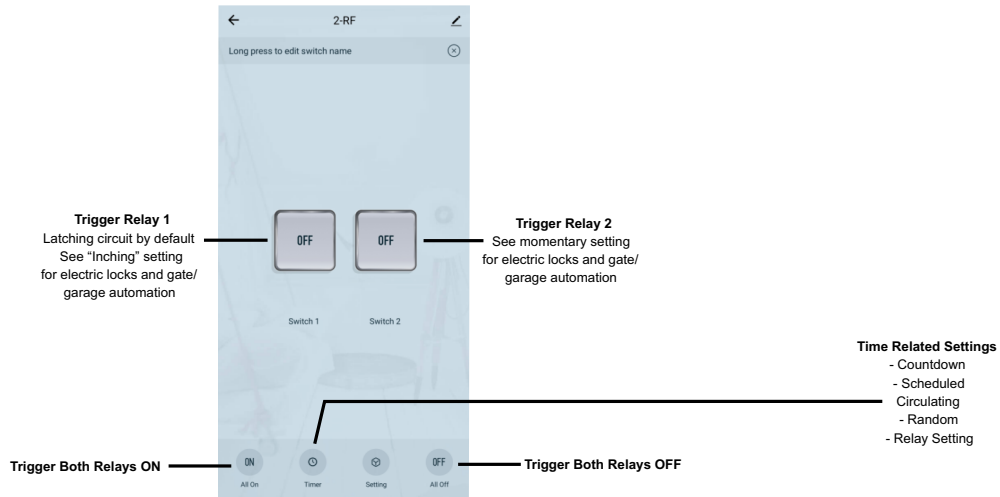
**Administrator**  
Total Control over home including unlocking and adding/deleting users

**OR**

**Common Member**  
Control of devices operation

Press **SAVE** an invitation will be sent to the user

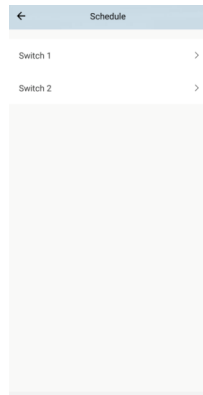
## Operation



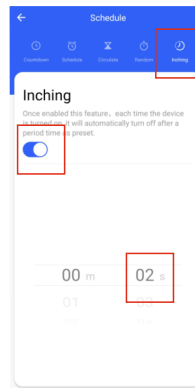
## Setting to inching (relay time)



1. From the main screen go to "timer"



2. Choose the relay you wish to configure



3. Choose Inching

4. Set to ON

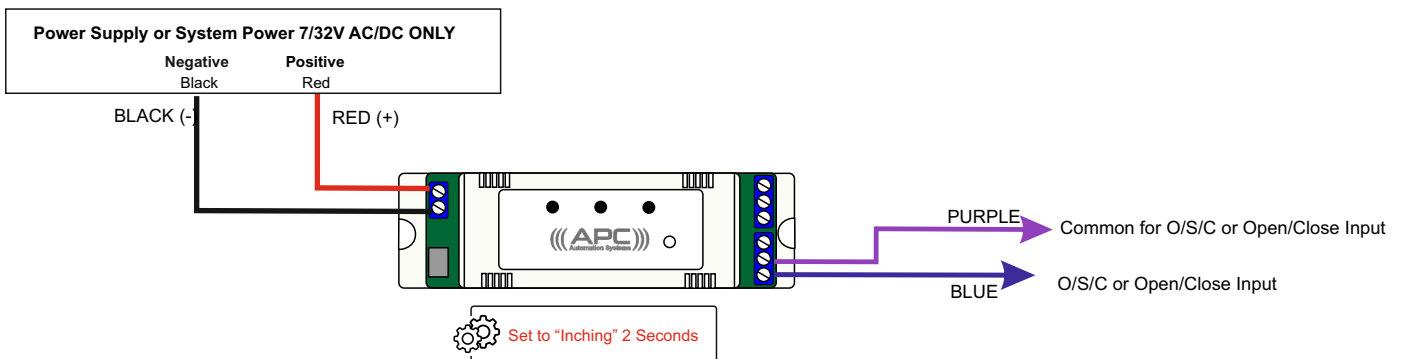
5. Set the time:

- Gate/Garage Automation 2 Seconds

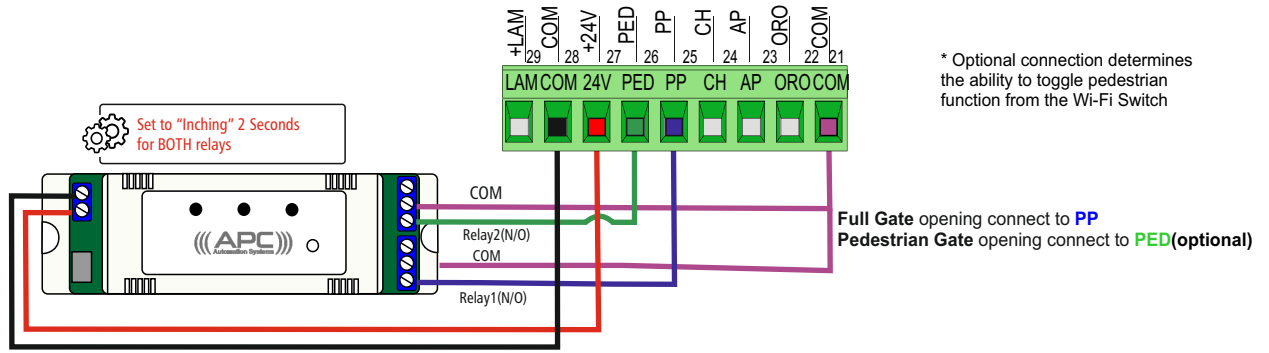
- Electric Strikers/Magnetic Locks connected THROUGH link 2, Set to 5 seconds

- Electric Strikers/Magnetic Locks connected via PS-L3S or other lock control power supplies, Set to 2seconds

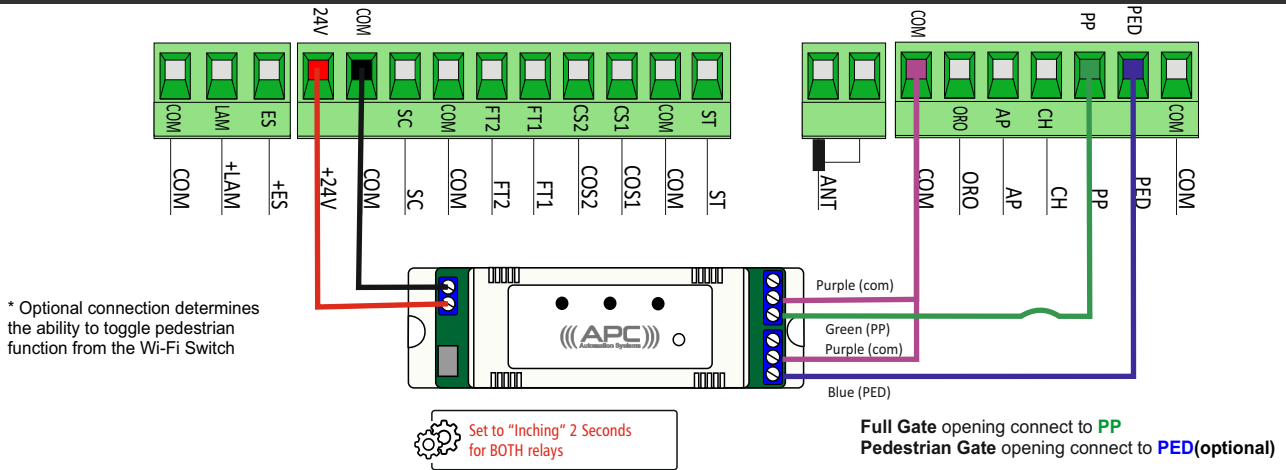
## Automatic Gate/Garage Systems



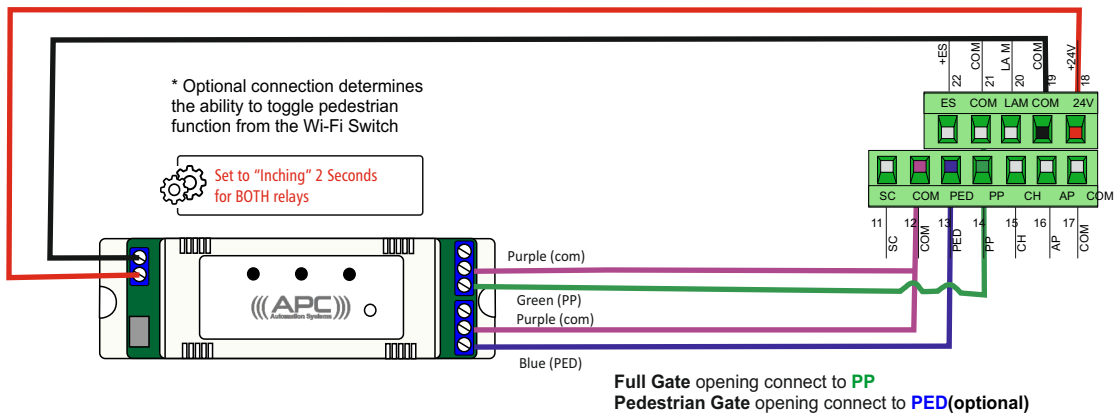
## Roger Technology Sliding Gate opener For BM30 ,BH30 and BG30



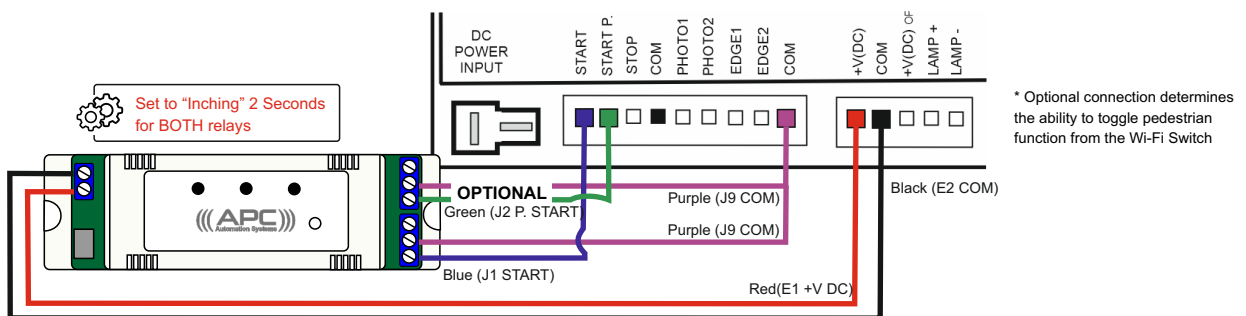
## Roger Technology Swing gate Openers with EDGE 1 Control Board.



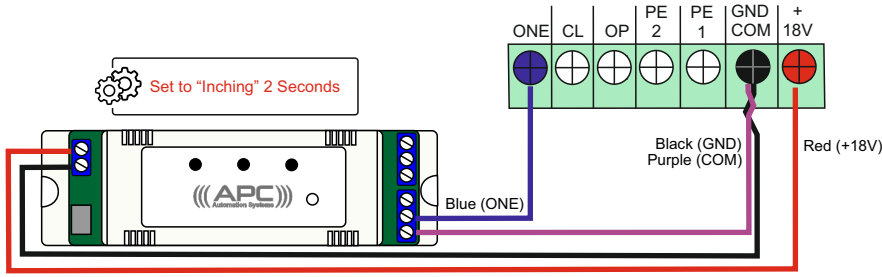
## Roger Technology Swing gate Openers with B70 2ML Control Board.



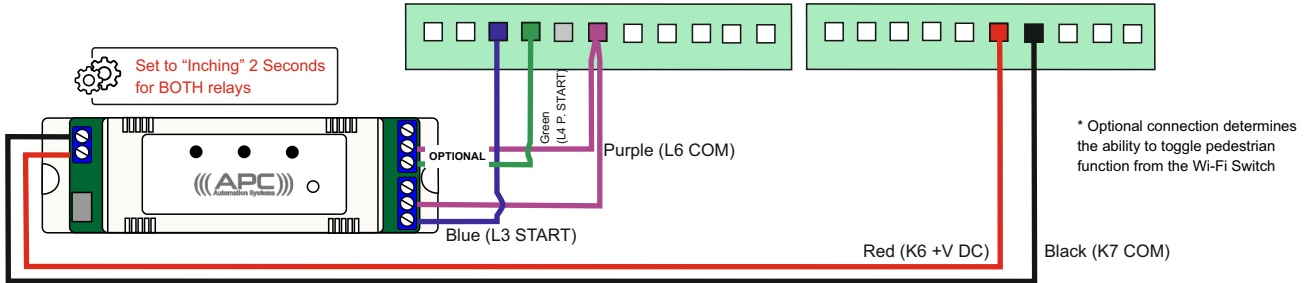
## • APC-P450S Proteus 450 Sprint • APC-P500 Proteus 500



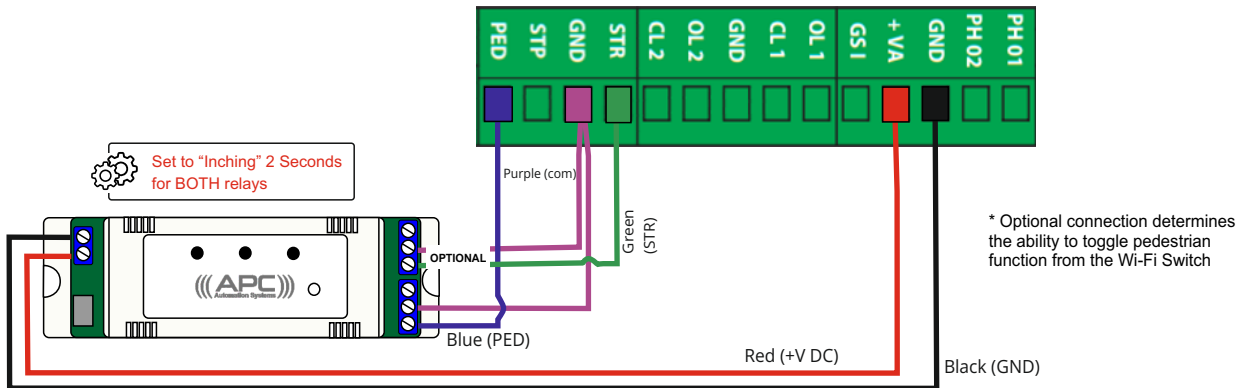
• APC-SG802-AC Typhoon • APC-SG1600-AC Tsunami • APC-SG3000-AC Tornado



• APC-Logico 24 Swing Gate System

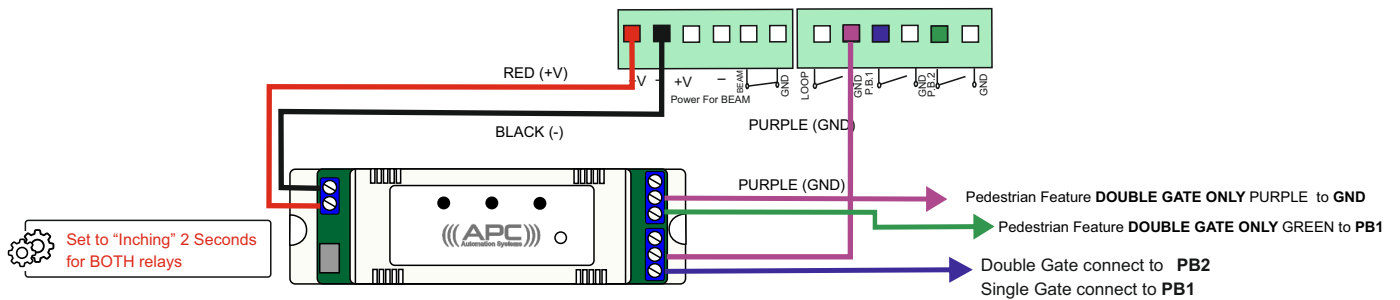


Simply 24 control board

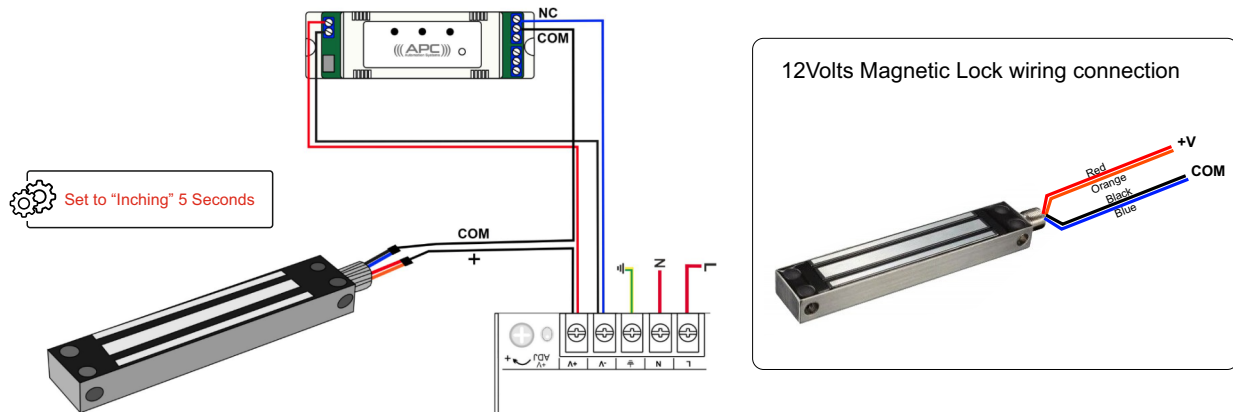


Full Gate opening connect to **STR**  
Pedestrian Gate opening connect to **PED(optional)**

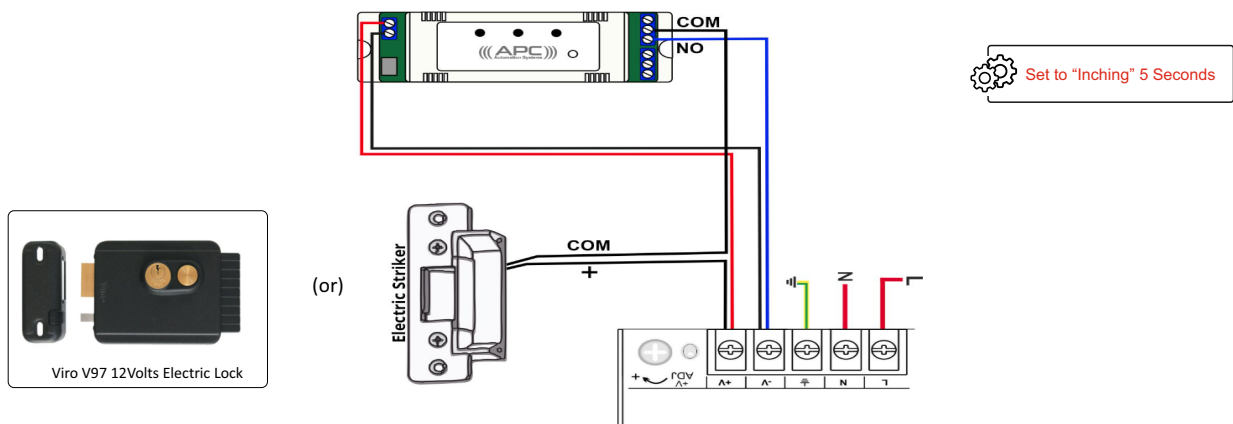
• APC-CBSW24 Swing Gate System



## Connection with power supply to Magnetic Lock



## Connection with Power supply to Electric Lock



## Warranty Terms

### APC WARRANTY

APC Automation Systems warrants the original purchasers or the APC gate(s) opening system for a period of twelve months from the date of purchase (not installation), the product shall be free of defects in materials and workmanship under normal use.

During the warranty period, APC shall, as its option, repair or replace any defective product upon return of the product to its factory, at no charge for labour and materials.

Any replacement and/or repaired parts are warranted for the remainder of the original warranty, The original owner must promptly notify APC in writing that there is defect in material or workmanship, such written notice must be received in all events prior to expiration of the warranty.

### Conditions to Void Warranty

This warranty applies only to defects in repairs and workmanship relating to normal use. It does not cover:

- Damage incurred in shipping or handling
- Damage caused by disaster such as fire, flood, wind, earthquake or lightning
- Damage due to causes beyond the control of APC such as excessive voltage, mechanical shock or water damage
- Damage caused by unauthorized attachment, alterations, modifications, or foreign objects.
- Damage caused by peripherals (unless such peripherals were supplied by APC)
- Defects caused by failure to provide a suitable installation environment for the products
- Damage caused by usage of the products for purpose other than those for which it was designed.
- Damage from improper maintenance
- Damage arising out of any other abuse, mishandling, and improper application of the products.

Under no circumstances shall APC be liable for any special, incidental, or consequential damages based upon breach of warranty, breach of contract, negligence, strict liability, or any other legal theory. Such damages include, loss of profits, loss of the product or any associated equipment, cost of capital, cost of substitute or replacement equipment, facilities or services, down time, purchaser's time, the claims of third parties, including customers, and injury to property.